

Contents

Important information _____	1
Introduction _____	2
Speaker Location _____	2
Fine Tuning & Calibration _____	2
Timbre Matching Guide _____	2
Technology _____	3
In-Ceiling & In-Wall features _____	4
In-Ceiling installation _____	5-6
In-Wall installation _____	7-8
Setting Up In-Ceiling Loudspeakers _____	9
Fine tuning of In-Ceiling & In-Wall Loudspeakers _____	9
In-Ceiling Technical Specifications _____	10
In-Wall Technical Specifications _____	11
Guarantee & Service _____	12
Declaration of Conformity _____	12
Multi-lingual safety warnings _____ (German, Italian, Spanish and French)	13-14

IMPORTANT INFORMATION

The CP Series ***In-Ceiling*** and ***In-Wall*** loudspeakers will provide long term satisfaction in terms of sound quality and reliability provided they are installed correctly, according to the instructions and conditions contained in this manual. Please read this installation guide carefully before proceeding. We assume the installer is trained and skilled in the correct and safe use of hand and power tools and has a working knowledge of local building and fire regulations/codes as well as experience of the conditions/services behind walls and ceilings into which these speakers will be installed. **IF IN DOUBT ABOUT YOUR ABILITY TO INSTALL THESE PRODUCTS SAFELY AND CORRECTLY PLEASE CONTACT YOUR LOCAL AUTHORISED MONITOR AUDIO DEALER OR CUSTOM INSTALLER.**



WARNINGS:

- A minimum depth of 190mm (7½ Inches) is required for the ***BR, RS & GS In-Ceiling*** back box to fit into recess. The ***BR, RS & GS In-Wall*** requires 101mm (4 Inches). The ***Radius In-Ceiling and Stereo In-Ceiling*** require a minimum depth of 159mm (6 ¼ Inches) and the ***Radius In-Wall*** requires 98mm (3 7/8 Inches)
- The fixing clamps require a minimum of 25mm (1 Inch) of surface area around the cut-out hole to ensure a secure fixing!
- The fixing clamps will operate on ceilings or walls with a minimum thickness of 9mm (3/8 Inches) to a maximum depth of 32mm (1¼Inches)
- Do not attempt to fix these speakers to your ceiling or wall if you are unsure of your ability to provide a secure and safe fixing. **IF IN DOUBT CONTACT YOUR LOCAL AUTHORISED MONITOR AUDIO DEALER OR CUSTOM INSTALLER.**
- Ensure that there are no water pipes, air ducts or electricity cables running immediately behind the cut out area!
- Please work from secure steps or scaffold and avoid trailing wires for your safety and those around you.
- Always turn off the amplifier or other devices in the system when connecting these speakers

Introduction

Congratulations and thank you for purchasing this high performance Monitor Audio CP Series loudspeaker.

In over thirty years, Monitor Audio has become synonymous with high performance, technical excellence, innovation and superior aesthetic design. Our heritage of investment in high-end metal driver and cabinet technology is powerfully expressed by a versatile award-winning range of speakers, which set class-leading standards of sonic excellence and aesthetic appeal. Our now legendary attention to detail ensures that we build the complete loudspeaker for every application, as truthful and transparent as possible.

We invest as much care, expertise and research in the smallest loudspeaker as we do in the grandest. In every case, the materials and technology we apply are broadly similar, endowing each speaker with the same accurate tonal signature. Irrespective of architecture or interior design, Monitor Audio's range gives you the freedom to supply high quality sound from a versatile mix of floor, stand, wall and flush-mounted speakers. With Monitor Audio, a home can look and sound beautiful.

Speaker Location

We strongly recommend that these speakers be installed professionally so that positioning and fine-tuning can be successfully undertaken using sound measuring equipment, coupled with room layout experience and technical knowledge.

Your CP series *In-Ceiling* and *In-Wall* loudspeakers installed in your home theatre can be used as surround speakers in conjunction with freestanding speakers. If you are unsure about where to locate your surround speakers for optimum performance, please contact your Monitor Audio Dealer for advice.

When mounting your speakers in the ceiling, locate the speakers 0.6-2m (2 to 6 feet) behind your listening position. The speakers should be installed 2 to 3m (6 to 10 feet) apart centre to centre.

Fine Tuning & Calibration

Your amplifier or A/V receiver manual will contain information and detailed instruction on fine tuning/calibrating your system so that the correct balance is achieved between the various speakers. It may be necessary to adjust the CP speakers as described in pages 7.

Timbre Matching Guide

Illustrating the perfect blend of custom installation & hi-fi speakers for optimal performance.

	RST®	C-CAM® Tweeter	C-CAM® Driver	MMP®II	CP	H.F	M.F	Timbre-Matched Range
GS-CP	●	●	●		●	●	●	Gold Signature GS hi-fi
RS-CP		●	●		●	●		200 Series & Silver RS hi-fi
BR-CP		●		●	●			Radius-CP, 100 Series, Climate 10, Bronze BR & Radius hi-fi
Radius-CP		●		●	●			BR-CP, 100 Series, Climate 10, Bronze BR & Radius hi-fi

Technology

MMP® Mk2

An advance in driver technology developed from Monitor Audio's original Metal Matrix Polymer cone material. It uses a high-pressure injection moulding process to achieve different thicknesses at critical points of the cone geometry. MMP® Mk2 provides better stiffness, consistency and tighter production tolerances resulting in superior sonic performance.

C-CAM® Tweeters

Advanced software simulation has allowed us to optimise the tweeter design, bringing higher sensitivity and a wider band width to reveal the finest high frequency detail all the way up to 30kHz. We've developed a sophisticated new chamber with graduated damping, which controls undesirable resonances for a smoother more accurate response.

C-CAM® drivers

Developed over many years, C-CAM is used as a cone material for all high frequency drivers, and deployed for mid-range and bass drivers in our mid-market and top-of-the-range CI and hi-fi speakers. Created originally by aerospace engineers for jet-engine blades, Ceramic-Coated Aluminium/Magnesium exhibits ideal acoustic properties, being extremely strong but very light in weight. Conventional cone materials are liable to flex in operation, producing a significant level of audible distortion.

RST®

Our most refined technology, the RST cone surface is patterned with either concentric dimples or radial ridges, which further reduces mass, increases stiffness and eliminates the bending associated with conventional metal cone designs. The result is a smoother, more agile response, better control of break-up and a wider dynamic range. Not only is RST employed by the Gold Signature range of hi-fi loudspeakers, but also the GS-CP in-ceiling and in-wall models.

CP

No sound installation is ever the same. CP stands for Controlled Performance, because each CP in-ceiling or in-wall product is fitted with its own rigid mineral filled enclosure allowing the acoustics to be optimised every time. This ensures that its exceptional sound remains consistent wherever it is fitted.

High Frequency Switching [H.F]

Factory set to 0dB, this offers a sonic balance as the designer intended. However in environments with a high degree of soft furnishings it may be desirable to lift the H.F level to the +3dB setting to achieve a neutral sonic balance. In a minimalist environment it maybe necessary to drop the H.F level to -3dB position.

Mid Frequency Switching [M.F]

Factory set to 0dB, this offers a sonic balance as the designer intended. However in environments with a high degree of soft furnishings it may be desirable to lift the M.F level to the +3dB setting to achieve a neutral sonic balance. In a minimalist environment it maybe necessary to drop the M.F level to -3dB position.

CP Gold Signature Features

CP GS speakers utilise our C-CAM[®] (Ceramic Coated Aluminium Magnesium alloy) cone, featuring Rigid Surface Technology (RST[®]). Impressions on the cone's surface are designed to eliminate bending, increase stiffness and lower mass when compared with conventional cone driver designs. The result is a much faster response, offering music reproduction that is closer to the original performance. A rigid die-cast metal chassis design features a vented rear section and provides extremely low distortion with typically higher output levels. The in-wall model uses the exact same tweeter as that found in the regular stand mount and floor standing GS loudspeakers. Both the in-ceiling and in-wall models extend all the way up to 30KHz.

Additional high frequency and mid-range frequency controls allow the user to set-up the system precisely to obtain optimum performance within the listening environment. This inherent flexibility makes the CP GS speakers suitable for a wider range of demanding applications than that offered by their competitors. They promise a truly 'high-end' performance from a custom fit, discreetly installed speaker system.

CP Silver RS Features

Our C-CAM[®] cone profiles and rubber surrounds maximise the potential of the driver mechanism. The new surrounds allow greater cone excursions with lower distortion and improved frequency response linearity. The flush cone edge provides a very smooth response and a natural, accurate sound. The Silver RS CP pivoting tweeter (*In-Ceiling* only) is based on Monitor Audio's famous 25mm gold C-CAM[®] dome. Improvements to the surround and motor system have extended the frequency response to 30KHz, so that it is ready to exploit new wide bandwidth digital audio formats such as SACD and DVD-A.

An additional high frequency control offers a fine-tuning option to allow the user to set-up the system precisely and obtain optimum performance within the listening environment. This additional flexibility makes the Silver RS CP *In-Ceiling* and *In-Wall* speakers suitable for a wider range of demanding residential and commercial applications.

CP Bronze Reference Features

The Bronze Reference drive unit, (MMP[®] II) offers an advanced driver technology developed from Monitor Audio's original Metal Matrix Polymer (MMP[®]) cone material and uses a high-pressure injection moulding process to achieve different thickness at critical points in the cone geometry. MMP[®] II provides better stiffness and consistency and tighter production tolerances resulting in superior sonic performance. The new bass-mid chassis design has a vented rear section that reduces thermal power compression to deliver increased dynamic range and higher sound pressure levels. This venting also lowers distortion by balancing the pressure within the voice-coil motor system. It means clean, crisp bass and an even clearer mid-range performance.

High frequency performance has been improved by the evolution of the C-CAM[®] tweeter. The new tweeter utilises a pivoting action (*In-Ceiling* only) to provide optimum imaging and flexible set-up options. The bespoke crossover uses high-grade polypropylene film capacitors, and low distortion inductors

CP Radius Features

Driver technology refined to deliver the unparalleled sonic performance of Monitor Audio's award-winning ultra-compact Radius loudspeakers has been applied to its successful Controlled Performance (CP) in-wall/in-ceiling designs to render a completely new flush-mounting loudspeaker range for the most discrete installations.

The in-wall and in-ceiling models utilise a pivoting 20mm C-CAM[®] Gold Dome tweeter, derived from the remarkable Radius R45 hi-fi monitor - the smallest speaker Monitor Audio has ever made. Its pivoting action allows for the critical high frequencies (to 25kHz) to be directed toward the listening position for the most accurate imaging. Radius CP delivers added installation versatility by providing this feature from in-wall as well as in-ceiling locations. The innovative in-ceiling stereo design uses dual fixed C-CAM[®] (Ceramic Coated Aluminium Magnesium) domes fed independently with stereo left/right signals. Bass and mid-range frequencies are accurately reproduced by a 5" version of the acclaimed Radius MMP[®] Mk2 driver.

Installation – In-Ceiling Units

The CP Series In-Ceiling loudspeakers will provide long term satisfaction in terms of sound quality and reliability provided they are installed correctly, according to the instructions and conditions contained in this manual. Please read this installation guide carefully before proceeding. We assume the installer is trained and skilled in the correct and safe use of hand and power tools, and has a working knowledge of local building and fire regulations/codes as well as experience of the conditions/services behind walls and ceilings into which these speakers will be installed. **IF IN DOUBT ABOUT YOUR ABILITY TO INSTALL THESE PRODUCTS SAFELY AND CORRECTLY PLEASE CONTACT YOUR LOCAL AUTHORISED MONITOR AUDIO DEALER OR CUSTOM INSTALLER.**

NOW AVAILABLE: Pre-construction brackets. These are for use when installing any CP product before the plaster board/ rock wall, is fitted. They show the location of the speakers to the builder and give them a solid secure edge to cut around.

Parts List

PLEASE CHECK YOU HAVE THE FOLLOWING ITEMS IN THIS KIT BEFORE PROCEEDING:

- 1 x Complete speaker & tweeter assembly fitted to back box.
- 1 x Grille (which can be painted).
- 1 x Mounting cut out template (in packaging).
- 1 x Plastic paint mask (for covering the baffle while painting the frame)
- 1 x Self adhesive grille membrane (to be attached to the inside the grille after it has been painted).
- 2 x Spare baffle fixing screws plus guarantee card in this manual.



WARNINGS:

- A minimum depth of 190mm (7½ Inches) is required for the back box on the BR, RS & GS In-Ceiling products to fit into recess. The Radius In-Ceiling Products require 159mm (6 ¼ Inches).
- The fixing clamps require a minimum of 25mm (1 Inch) of surface area around the cutout hole to ensure a secure fixing!
- The fixing clamps will operate on ceilings with a minimum thickness of 9mm (³/₈ Inches) to a maximum depth of 32mm (1¼ Inches).
- Do not attempt to fix these speakers to your ceiling if you are unsure of your ability to provide a secure and safe fixing. **IF IN DOUBT CONTACT YOUR LOCAL AUTHORISED MONITOR AUDIO DEALER.**
- Ensure that there are no water pipes, air ducts or electricity cables running immediately behind the cut out area!
- Please work from secure steps or scaffold and avoid trailing wires for your safety and those around you.
- Always turn off the amplifier or other devices in the system when connecting these speakers.

Procedure

NOTE: If you are choosing to paint your In-Ceiling loudspeaker, we recommend you do this prior to installation. We would also recommend using the paint mask for the baffle. Remove the mask after paint has completely dried. Fit the grille membrane to the inside of the grille after painting.

1. Use template to locate position of cut out. Fig 1 for BR, RS & GS In-Ceiling Products and Fig 2 for Radius In-Ceiling products. The adhesive backing allows for repositioning a number of times.
2. Draw around the template to define the circumference of the cut out - 250mm (9 7/8 inches) for BR, RS & GS In-Ceiling products, 173mm (6 13/16 Inches) for Radius Inceiling products
3. Remove template and cut hole.
4. Locate speaker cable and connect by pushing the terminals in and releasing to clamp the cables as shown below Fig 3 for Radius, BR, RS & GS In-Ceiling Products and Fig 4 for Radius Stereo In-Ceiling.
5. Fit back box into prepared hole and tighten fixing clamps. These will move outwards on tightening! **DO NOT OVERTIGHTEN! Once contact is made 2-3 turns are all that is required.**
6. **TO FINE-TUNE THE SPEAKERS PLEASE REFER TO PAGE 9.**

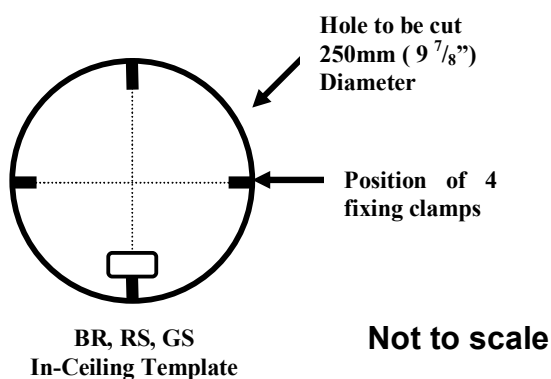


Fig 1

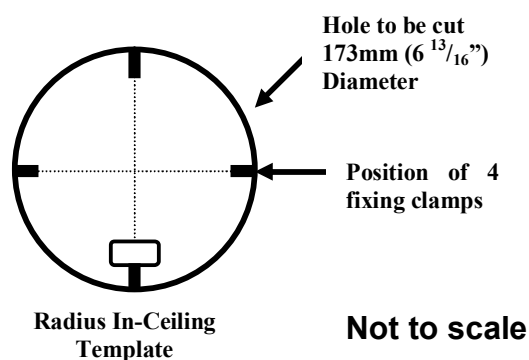


Fig 2

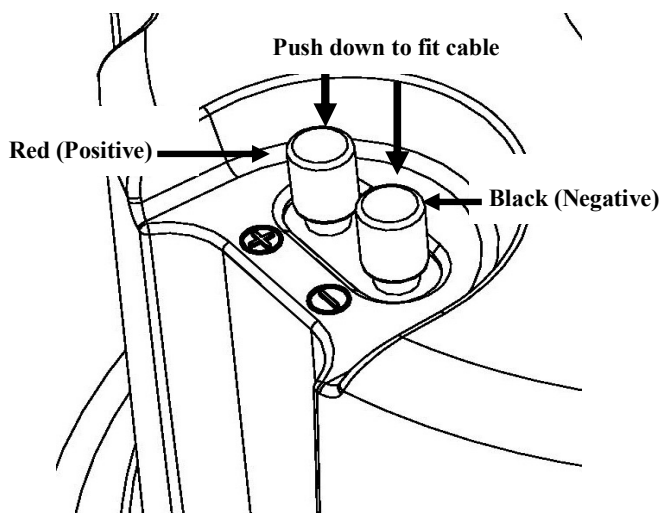


Fig 3

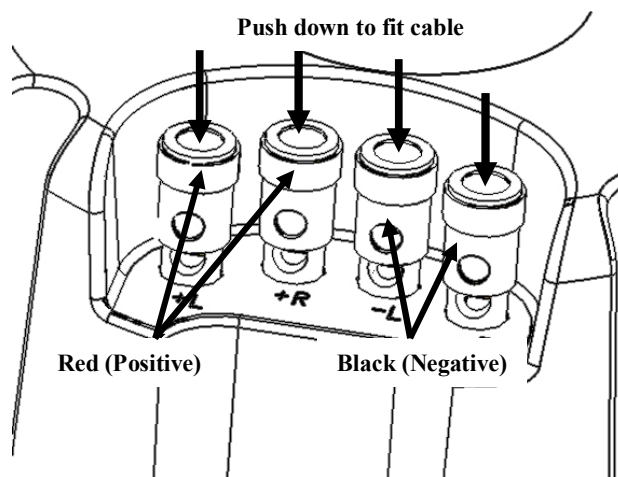


Fig 4

Installation - *In-Wall Units*

The CP Series *In-Wall* loudspeakers will provide long term satisfaction in terms of sound quality and reliability provided they are installed correctly, according to the instructions and conditions contained in this manual. Please read this installation guide carefully before proceeding. We assume the installer is trained and skilled in the correct and safe use of hand and power tools, and has a working knowledge of local building and fire regulations/codes as well as experience of the conditions/services behind walls and ceilings into which these speakers will be installed. **IF IN DOUBT ABOUT YOUR ABILITY TO INSTALL THESE PRODUCTS SAFELY AND CORRECTLY PLEASE CONTACT YOUR LOCAL AUTHORISED MONITOR AUDIO DEALER OR CUSTOM INSTALLER.**

NOW AVAILABLE: Pre-construction brackets. These are for use when installing any CP product before the plaster board/ rock wall, is fitted. They show the location of the speakers to the builder and give them a solid secure edge to cut around.

Parts List

PLEASE CHECK YOU HAVE THE FOLLOWING ITEMS IN THIS KIT BEFORE PROCEEDING:

- 1 x Complete speaker & tweeter assembly fitted to back box.
- 1 x Grille (which can be painted).
- 1 x Mounting cut out template (in packaging).
- 1 x Plastic paint mask (for covering the baffle while painting the frame)
- 1 x Self adhesive grille membrane (to be attached to the inside the grille after it has been painted).
- 2 x Spare baffle fixing screws plus guarantee card in this manual.



WARNINGS:

- A minimum depth of 101mm (4 Inches) is required for the back box on the BR, RS & GS In-Wall products to fit into wall/ceiling recess. The Radius In-Wall requires 99mm (3 ⁷/₈ Inches).
- The fixing clamps require a minimum of 25mm (1 Inch) of surface area around the cut-out hole to ensure a secure fixing!
- The fixing clamps will operate on walls with a minimum thickness of 9mm (³/₈ Inches) to a maximum depth of 32mm (1¹/₄ Inches).
- Do not attempt to fix these speakers to your wall if you are unsure of your ability to provide a secure and safe fixing. **IF IN DOUBT CONTACT YOUR LOCAL AUTHORISED MONITOR AUDIO DEALER.**
- Ensure that there are no water pipes, air ducts or electricity cables running immediately behind the cut out area!
- Please work from secure steps or scaffold and avoid trailing wires for your safety and those around you.
- Always turn off the amplifier or other devices in the system when connecting these speakers.

Procedure

NOTE: If you are choosing to paint your In-Ceiling loudspeaker, we recommend you do this prior to installation. We would also recommend using the paint mask for the baffle. Remove the mask after paint has completely dried. Fit the grille membrane to the inside of the grille after painting.

1. Use template to locate position of cut out. Fig 1 for BR, RS & GS In-Ceiling Products and Fig 2 for Radius In-Ceiling products. The adhesive backing allows for repositioning a number of times.
2. Draw round the perimeter of the cut out – 387 x 234mm (15 1/4 x 9 3/16 inches) for BR, RS & GS In-Wall products, 275 x 172mm (10 13/16 x 6 3/4 Inches) for Radius In-Wall
3. Remove template and cut hole.
4. Locate speaker cable and connect by pushing the terminals in and releasing to clamp the cables as shown below Fig 3.
5. Fit back box into prepared hole and tighten fixing clamps. These will move outwards on tightening! **DO NOT OVERTIGHTEN! Once contact is made 2-3 turns are all that is required.**
6. **TO FINE-TUNE THE SPEAKERS PLEASE REFER TO PAGE 9.**

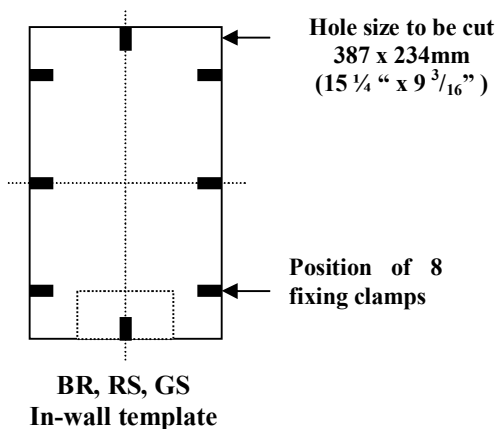


Fig 1

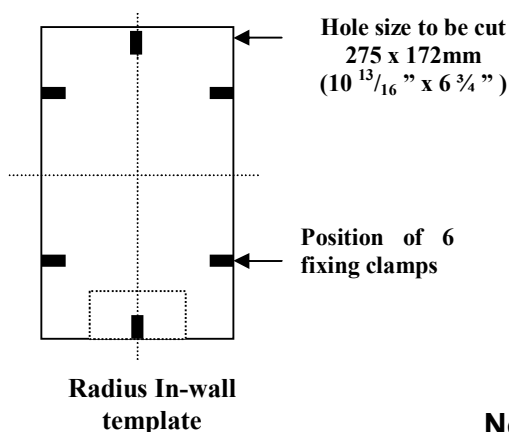


Fig 2

Not to scale

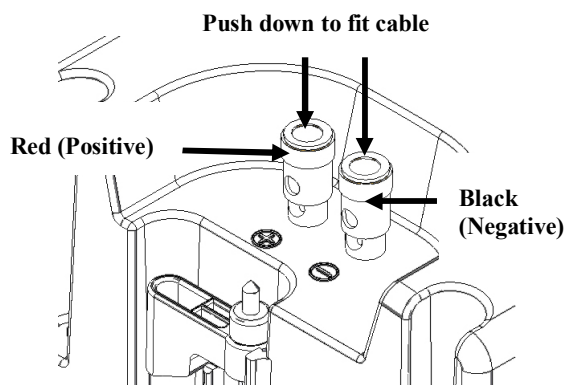


Fig 3

Setting Up CP Loudspeakers

The following adjustments can be made to the tweeter on CP models except BR, RS & GS In-Wall, as follows:

1. Pivoting tweeters can be tilted up to 18 degrees in all directions to provide optimum coverage.
2. If the speakers are widely separated such that the music fails to blend into a central image when operated in stereo mode then tilt the tweeter towards the listening area.
3. If the Soundstage seems too confined tilt the tweeter away from the listening area.
4. For further fine-tuning options of your CP *In-Ceiling* speakers please go to page 8.

Fine-tuning - *In-Ceiling and In-wall speakers*

The following adjustments can be made to your CP *In-Ceiling* and *In-Wall* loudspeakers as follows:

Adjusting H.F (High Frequency) control (*Silver RS CP and Gold CP models only*)

The factory H.F setting provides a flat or 0dB level, which will suit the majority of typical installations. However, it is possible to fine-tune the sound from the CP speakers to suit a room's characteristics or preferred listening tastes by using the following as a guide: -

- a. Setting the switch in the +3dB position will add brightness and additional clarity to the system. This may be effective in a room with a large amount of soft furnishings.
- b. Setting the switch in the -3dB position will reduce the brightness on the system and provide a duller sound. This may be effective in a room with a lack of soft furnishings, or in an installation with a wooden floor.

Adjusting M.F (Mid-range Frequency) control (*Gold CP models only*)

The factory M.F setting provides a flat or 0dB level, which will suit the majority of typical installations. However, it is possible to fine-tune the sound from the Gold CP *In-Ceiling* and *In-Wall* speakers to suit a room's characteristics or preferred listening tastes by using the following as a guide: -

- a. Setting the switch in the +3dB position will add presence and additional clarity to the system, particularly in the vocal region. This may be effective for better resolution of dialogue and speech, or in an installation where the listening position is a large distance from the speaker.
- b. Setting the switch in the -3dB position will reduce the presence and the system will sound more 'laid back'. This may be effective where the speaker will be played for background music, or where the listening position is situated close to the speaker.

In-Ceiling Technical Specifications

Model	CPC GS <i>In-Ceiling</i>	CPC RS <i>In-Ceiling</i>	CPC BR <i>In-Ceiling</i>	CPC RADIUS <i>In-Ceiling</i>	CPC RADIUS <i>In-Ceiling</i> STEREO
Frequency Response	55Hz – 30KHz	60Hz – 30KHz	62Hz – 22 KHz	60Hz – 25KHz	60Hz – 25KHz
Impedance (nominal)	8 Ohms	8 Ohms	8 Ohms	6 Ohms	6 + 6 Ohms
Sensitivity (1W@1M)	89dB	89dB	88dB	88 dB	88 dB
Maximum SPL	106.5 dBA	105.8 dBA	105 dBA	103 dBA	103 dBA (both channels driven)
Power Handling	120W	100W	80W	70W	35W / x 2 (total 70W)
Recommended Amp Requirements	30-120W	30-100W	20-80W	5-60W	5-30W x 2
Bass Alignment	Sealed enclosure	Sealed enclosure	Sealed enclosure	Sealed enclosure	Sealed enclosure
Drive Unit Complement - Bass	1x 6.5" C-CAM bass driver featuring RST technology	1x 6" C-CAM bass driver	1x 6.5" MMP2 second generation Metal Matrix Polymer	1x 5" MMP2 bass driver	1x 5" MMP2 bass driver
Drive Unit Complement - Tweeter	Pivoting 25mm C-CAM gold alloy dome with high power ceramic magnet system	Pivoting 25mm C-CAM gold alloy dome with rare earth magnet	Pivoting 25mm C-CAM gold alloy dome with rare earth magnet	Pivoting 20mm C-CAM® gold alloy dome	2 x 20mm C-CAM® gold alloy dome
Overall Diameter	281mm (11 1/16 inches)	281mm (11 1/16 inches)	281mm (11 1/16 inches)	214 DIA (mm) 8 7/16 (Inches)	214 DIA (mm) 8 7/16 (Inches)
Overall Depth	181mm (7 1/8 inches)	181mm (7 1/8 inches)	181mm (7 1/8 inches)	155 (mm) 6 1/8 (Inches)	155 (mm) 6 1/8 (Inches)
Cut-Out Hole Diameter	250mm (9 7/8 inches)	250mm (9 7/8 inches)	250mm (9 7/8 inches)	173 (mm) 6 13/16 (Inches)	173 (mm) 6 13/16 (Inches)
Recommended Mounting Depth. mm (inch)	190mm (7 1/2)	190mm (7 1/2)	190mm (7 1/2)	150mm (6)	150 (6)
Controls	+3db / 0dB / -3dB High frequency attenuation switch. +3db / 0dB / -3dB Mid-range frequency attenuation switch.	+3db / 0dB / -3dB High frequency attenuation switch	N/A	N/A	N/A
Fixing type	4 position 'dog' type fixings	4 position 'dog' type fixings	4 position 'dog' type fixings	4 position 'dog' type fixings	4 position 'dog' type fixings
Connection	Gold plated 'push' type terminals	Gold plated 'push' type terminals	Gold plated 'push' type terminals	Gold plated 'push' type terminals	Gold plated 'push' type terminals
Baffle material	MDF	MDF	MDF	ABS	ABS
Back Box/ Material	Mineral filled ABS plastic (UL – 94 V0 fire rated)	Mineral filled ABS plastic (UL – 94 V0 fire rated)	Mineral filled ABS plastic (UL – 94 V0 fire rated)	Mineral filled ABS plastic (UL - 94 V0 fire rated)	Mineral filled ABS plastic (UL - 94 V0 fire rated)
Pre-Construction	CB 8 (Green)	CB 8 (Green)	CB 8 (Green)	CB 5 (Blue)	CB 5 (Blue)
Unit weight Kg (lb)	3.1Kg (6.8lb)	2.5Kg (5.5lb)	2.4Kg (5.3lb)	1.55Kg (3.4lb)	1.6Kg (3.5lb)

In-Wall Technical Specifications

Model	CPW GS <i>In-Wall</i>	CPW RS <i>In-Wall</i>	CPW BR <i>In-Wall</i>	CPW RADIUS <i>In-wall</i>
Frequency Response	55Hz – 30KHz	60Hz – 30KHz	62Hz – 22 KHz	60Hz – 25KHz
Impedance (nominal)	8 Ohms	8 Ohms	8 Ohms	6 Ohms
Sensitivity (1W@1M)	89dB	89dB	88dB	88 dB
Maximum SPL	106.5 dBA	105.8 dBA	105 dBA	103 dBA
Power Handling	120W	100W	80W	70W
Recommended Amp Requirements	30-120W	30-100W	20-80W	5-60W
Bass Alignment	Sealed enclosure	Sealed enclosure	Sealed enclosure	Sealed enclosure
Drive Unit Complement – Bass	1x 6.5" C-CAM bass driver featuring RST technology	1x 6" C-CAM bass driver	1x 6.5" MMP2 second generation Metal Matrix Polymer	1x 5" MMP2 bass driver
Drive Unit Complement - Tweeter	25mm C-CAM gold alloy dome with high power ceramic magnet system and rear low resonance chamber	25mm C-CAM gold alloy dome with rare earth magnet	25mm C-CAM gold alloy dome with rare earth magnet	Pivoting 20mm C-CAM® gold alloy dome
Overall Size H x W (Inches)	423 x 270mm (16 ⁵ / ₈ x 10 ⁵ / ₈)	423 x 270mm (16 ⁵ / ₈ x 10 ⁵ / ₈)	423 x 270mm (16 ⁵ / ₈ x 10 ⁵ / ₈)	313 x 212mm (12 ⁵ / ₁₆ x 8 ⁵ / ₁₆)
Overall Depth (Inches)	100mm (3 ¹⁵ / ₁₆)	100mm (3 ¹⁵ / ₁₆)	100mm (3 ¹⁵ / ₁₆)	99mm (3 ⁷ / ₈)
Cut-Out Hole Size H x W (Inches)	387 x 234mm (15 ¹ / ₄ x 9 ³ / ₁₆)	387 x 234mm (15 ¹ / ₄ x 9 ³ / ₁₆)	387 x 234mm (15 ¹ / ₄ x 9 ³ / ₁₆)	275 x 172mm (10 ¹³ / ₁₆ x 6 ³ / ₄)
Recommended Mounting Depth	101mm (4 inches)	101mm (4 inches)	101mm (4 inches)	95mm 3 ³ / ₄ (Inches)
Controls	+3dB / 0dB / -3dB High frequency attenuation switch. +3dB / 0dB / -3dB Mid-range frequency attenuation switch.	+3dB / 0dB / -3dB High frequency attenuation switch	N/A	N/A
Fixing Type	8 position 'dog' type fixings	8 position 'dog' type fixings	8 position 'dog' type fixings	6 position 'dog' type fixings
Connection	Gold plated 'push' type terminals	Gold plated 'push' type terminals	Gold plated 'push' type terminals	Gold plated 'push' type terminals
Baffle Material	MDF	MDF	MDF	ABS
Back Box Material	Mineral filled ABS plastic (UL – 94 V0 fire rated)	Mineral filled ABS plastic (UL – 94 V0 fire rated)	Mineral filled ABS plastic (UL – 94 V0 fire rated)	Mineral filled ABS plastic (UL – 94 V0 fire rated)
Pre-Construction Bracket	WB 8 (Green)	WB 8 (Green)	WB 8 (Green)	WB 5 (Blue)
Unit Weight Kg (lb)	4.4Kg (9.6lb)	3.2Kg (7lb)	3.3Kg (7.2lb)	1.83Kg (4.1lb)

Guarantee and Service

The guarantee becomes valid upon completion of the attached guarantee card and its return within 30 days of purchase.

This guarantee is void if the serial number has been removed or defaced.

This equipment has been fully tested prior to dispatch from the factory. Both the craftsmanship and the performance of this product is guaranteed against manufacturing defects for the period of three years from the date of purchase (see conditions below), provided that the product was supplied by an authorised Monitor Audio retailer under the consumer sale agreement. (The words 'consumer sale' shall be construed in accordance with section 15 of the supply of goods act 1973). Monitor Audio accepts no responsibility for defects arising from accident, misuse, abuse, wear and tear, modification or operation outside of that specified within this instruction manual. Neither will responsibility be accepted for damage or loss occurring during transit to or from the parties claiming under this guarantee.

This guarantee covers both labour and parts. The liability of Monitor Audio is limited to the cost of repair or replacement of the defective parts (at the discretion of Monitor Audio) and under no circumstances extends to consequential losses or damage.

Claims under this Guarantee

The equipment should be returned in its packaging to the original supplier where possible, or to any other authorised Monitor Audio dealer. If it is not possible to return the equipment by hand, then it should be sent carriage prepaid via a reputable carrier. If the original packing is not available replacement packaging can be purchased from Monitor Audio. If you have any difficulties complying with these requirements please contact us at the following address:

Monitor Audio Ltd.
Unit 2, 24 Brook Road
Rayleigh
Essex
SS6 7XL
England

Tel: 44 (0) 1268 740580
Fax: 44 (0) 1268 740589
Internet: www.monitoraudio.co.uk
Email: info@monitoraudio.co.uk

This guarantee does not affect the statutory rights of the consumer under UK law and or relevant consumer laws in other countries or states.

Monitor Audio reserve the right to alter specifications at any time without notice if it is considered that an improvement can be made to the product.

Declaration of Conformity

Low Voltage Directive 2006/95/EC
Electromagnetic Compatibility Directive 89/336/EEC

We, Monitor Audio Ltd.
24 Brook Road
Rayleigh
Essex
SS6 7XL
England



Declare in own responsibility, that the products described in this manual are in compliance with technical standards:

EN 61000-6-1 : 2001
EN 61000-6-3 : 2007
EN 55013 : 2001
EN 50020 : 2002

Dean Hartley (Technical Director)
Monitor Audio Ltd
England

Warnungshinweis

Die zum Wand/Decken-Einbau vorgesehenen Lautsprecher der CP Serie werden Ihnen auf lange Zeit mit ihrer vorzüglichen Tonqualität und Zuverlässigkeit viel Freude bereiten, vorausgesetzt, dass sie vorschriftsmäßig nach den in diesem Handbuch angegebenen Anleitungen und Bedingungen eingebaut werden. Lesen Sie bitte vor Beginn der Arbeiten diese Installationsanleitungen sorgfältig, da wir voraussetzen, dass der Installateur im vorschriftsmäßigen und sicheren Gebrauch von Elektrowerkzeugen unterwiesen und erfahren ist. Es wird ebenso vorausgesetzt, dass er ausreichende Kenntnisse der örtlichen Bau und Brandschutzbestimmungen besitzt, sowie entsprechende Erfahrung des Unterputzzustandes und der eventuell vorhandenen Leitungen in Wänden und Zimmerdecken besitzt, in welche diese Lautsprecher eingebaut werden sollen. **SOLLTEN SIE DARAN ZWEIFELN; DIESE ARBEITEN MIT SICHERHEIT- UND ORDNUNGSGEMÄSS AUSFÜHREN ZU KÖNNEN, WENDEN SIE SICH BITTE AN IHREN AUDIO-VERTRAGSHÄNDLER.**



WARNUNGSHINWEIS:

- Es wird eine Mindesteinbautiefe von 190 mm (7.5 Zoll) für den Deckeneinbau der Backbox benötigt. Für den Wandeinbau sind 98 mm (4 Zoll) vorzusehen.
- Die Befestigungsklemmen benötigen eine Oberfläche von 25 mm (1 Zoll) um das ausgeschnittene Loch herum, um eine sichere Befestigung zu gewähren!
- Die Befestigungsklemmen können bei Decken oder Wänden mit einer Mindestdicke von 9 mm (0,35 l) bis zu einer Mindestdtiefe von 32 mm (1,25 Zoll) angewendet werden
- Versuchen Sie nicht, diese Lautsprecher an Ihrer Wand oder Decke anzubringen, wenn Sie nicht voll überzeugt sind, dass Sie imstande sind, diese vorschriftsmäßig und sicher zu montieren. **IM ZWEIFELSFALLE WENDEN SIE SICH BITTE AN IHREN ZUGELASSENEN ÖRTLICHEN AUDIOHÄNDLER.**
- Vergewissern Sie sich, dass sich keine Wasser- Luft- oder Elektroleitungen hinter dem Ausschnitt befinden!
- Benutzen Sie bitte immer nur sichere Tritte oder Leitergerüste und vermeiden Sie im Interesse Ihrer Sicherheit sowie der aller anwesenden Personen herabhängende und auf dem Boden schleifende Kabel und Leitungen.
- Bei Anschluss dieser Lautsprecher müssen die Verstärker sowie alle weiteren Geräte im System ausgeschaltet sein.

Avvertimenti

La Serie CP di altoparlanti incassati nel soffitto e nelle pareti offrirà un ottimo funzionamento in termini di qualità Sonora ed affidabilità, purché gli altoparlanti siano installati correttamente, seguendo le istruzioni e le condizioni contenute in questo manuale. Si prega di leggere attentamente questa guida all'installazione prima di procedere, poiché presumiamo che l'installatore sia addestrato e sia in grado di utilizzare gli attrezzi manuali ed elettrici. Ed abbia inoltre una conoscenza operativa dell'edificio locale e delle norme/codici antincendio e conosca le condizioni/i servizi dietro pareti e soffitti nei quali saranno installati questi altoparlanti. **IN CASO DI DUBBI SULLA PROPRIA ABILITÀ AD EFFETTUARE QUESTA INSTALLAZIONE IN MODO CORRETTO E SICURO, SI PREGA DI CONTATTARE IL PROPRIO CONCESSIONARIO LOCALE AUTORIZZATO ALLA VENDITA DI APPARECCHI AUDIO.**



ATTENZIONE:

- E' necessaria una profondità minima di 190 mm perché la cassa posteriore possa essere installata nel vano **del soffitto**. Quella da incassare nella **parete** necessita di uno spazio di 98 mm.
- I dispositivi di fissaggio necessitano di una superficie minima di 25 mm intorno al foro intagliato per assicurare un fissaggio sicuro!
- I dispositivi di fissaggio saranno funzionali in soffitti e pareti che abbiano uno spessore di almeno 9 mm fino ad uno spessore massimo di 32 mm.
- Non si deve tentare di fissare questi altoparlanti in un soffitto o una parete se non si è certi della propria abilità di effettuare un'installazione appropriata e sicura. **IN CASO DI DUBBI CONTATTARE IL PROPRIO CONCESSIONARIO LOCALE AUTORIZZATO ALLA VENDITA DI APPARECCHI AUDIO.**
- Accertarsi che non vi siano di tubi dell'acqua, condotti d'aria o cavi elettrici installati appena dietro l'area intagliata!
- Lavorare su scale o impalcature sicure ed evitare di tirare dei fili per la propria sicurezza e quella di altre persone.
- Spegner sempre l'amplificatore o altri dispositivi dell'impianto quando si collegano questi altoparlanti.

Advertencias

La CP Series de altavoces de empotrado en el techo y en la pared ofrecerán una satisfacción a largo plazo en concepto de calidad del sonido y fiabilidad, siempre y cuando se instalen correctamente, según las instrucciones y condiciones contenidas en este manual. Antes de proceder, lea detenidamente esta guía de instalación en la que se supone que el instalador está capacitado y es hábil en el uso correcto y seguro de herramientas manuales y eléctricas, y que tiene conocimientos prácticos de las regulaciones / códigos locales en materia de construcción e incendios, así como experiencia en cuanto a las condiciones / servicios que se encuentran detrás de los techos y paredes en los que se instalarán estos altavoces. **EN CASO DE DUDA DE QUE SEA CAPAZ DE INSTALAR ESTOS DISPOSITIVOS DE UNA MANERA SEGURA Y CORRECTA, SÍRVASE CONTACTAR CON SU DISTRIBUIDOR AUTORIZADO LOCAL DE AUDIO MONITORES**



ADVERTENCIAS:

- Se requiere una profundidad mínima de 190 mm (7,5 pulgadas) para que la caja de respaldo de empotrado **en el techo** quepa en el rebaje. La de empotrado **en la pared** requiere de 98 mm (4 pulgadas)
- ¡Las grapas de fijación requieren un área de superficie de 25 mm (1 pulgada), como mínimo, alrededor del agujero perforado para garantizar una fijación segura!
- Las grapas de fijación servirán en techos o paredes con un espesor mínimo de 9 mm (0,35 pulgadas) hasta una profundidad máxima de 32 mm (1,25 pulgadas)
- No intente instalar estos altavoces en el techo o pared si no está seguro de que sea capaz de ofrecer una instalación correcta y segura. **EN CASO DE DUDA CONTACTE CON SU DISTRIBUIDOR AUTORIZADO LOCAL DE AUDIO MONITORES.**
- ¡Cerciórese de que no haya tuberías de agua, ductos de aire o cables eléctricos que pasen inmediatamente por detrás del área perforada!
- Para la instalación use por favor escaleras o andamiaje y evite dejar alambres colgados por su propia seguridad y la de los que le rodean.
- Siempre apague el amplificador u otros dispositivos del sistema cuando conecte estos altavoces.

Avertissements

La série CP de haut-parleurs encastrés dans les murs et les plafonds fourniront une satisfaction à long terme quant à la qualité du son et à la fiabilité, à condition d'être installés correctement, conformément aux instructions et aux conditions contenues dans cette notice. Lisez attentivement cette notice avant de commencer l'installation. Nous supposons que l'installateur est formé et compétent et qu'il sait utiliser les outils à main et les outils électriques correctement et d'une manière sûre. Nous supposons également qu'il a une connaissance pratique des règlements/codes locaux relatifs aux constructions et aux incendies et qu'il a une expérience des conditions/services derrière les murs et les plafonds dans lesquels ces haut-parleurs seront installés. **SI VOUS AVEZ UN DOUTE QUELCONQUE SUR VOTRE CAPACITÉ D'INSTALLER CES HAUT-PARLEURS CORRECTEMENT ET D'UNE MANIÈRE SÛRE, CONTACTEZ VOTRE REVENDEUR LOCAL AGRÉÉ DE MATERIEL HI-FI.**



AVERTISSEMENTS :

- Il faut une profondeur d'au moins 190 mm pour encastrer le boîtier arrière dans le **plafond**. La profondeur nécessaire pour l'encastrement dans le **mur** est de 98 mm.
- Les brides de fixation ont besoin d'une surface d'environ 25 mm autour du trou découpé pour fournir une fixation ferme !
- Les brides de fixation sont adéquates pour être utilisées sur des plafonds et des murs d'une épaisseur minimum de 9 mm et d'une profondeur maximum de 32 mm.
- N'essayez pas de fixer ces haut-parleurs dans votre plafond ou dans votre mur si vous n'êtes pas certain de pouvoir obtenir une fixation ferme et sûre. **EN CAS DE DOUTE, CONTACTEZ VOTRE REVENDEUR LOCAL AGRÉÉ DE MATERIEL HI-FI.**
- Assurez-vous qu'il n'y a pas de conduites d'eau, de conduits d'air ni de câbles électriques juste derrière l'endroit prévu d'encastrement.
- Travaillez sur un escabeau ou sur un échafaudage sûr et évitez de laisser traîner des fils électriques pour votre sécurité et celle de ceux autour de vous.
- Mettez toujours hors tension l'amplificateur ou les autres dispositifs dans le système lorsque vous connectez ces haut-parleurs.