

Speaker Mount Installation Instructions

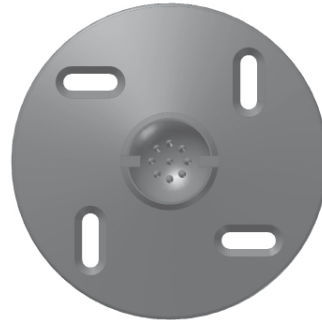
CONTENTS



Fixing Dial x 2



Ceiling
Arm x 2



Wall Plate x 2



Wall Arm x 2




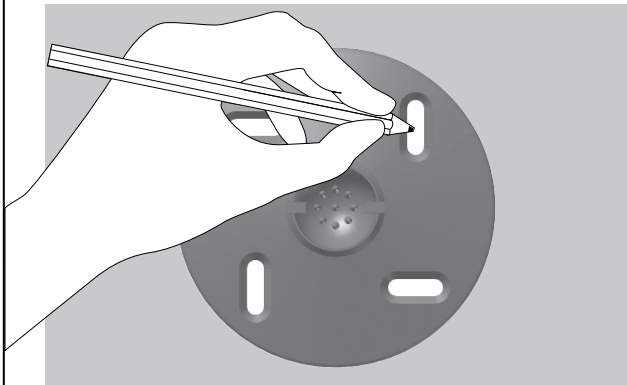
Locking
Nut x 2

NOTE: No fixings are supplied.
Please use the appropriate fixings dependant
on the wall structure.

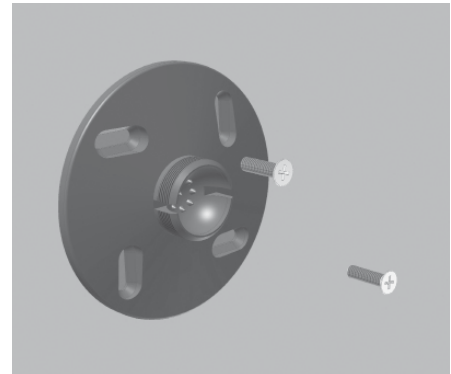
1 Mark fixing points of wall plate and drill holes.

Size will be depend on fixing method and you should
refer to the appropriate manufacturers instructions.

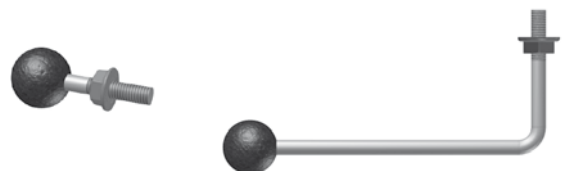
 If you are unsure of being able to provide a secure fixing
seek the advise of a professional installer.



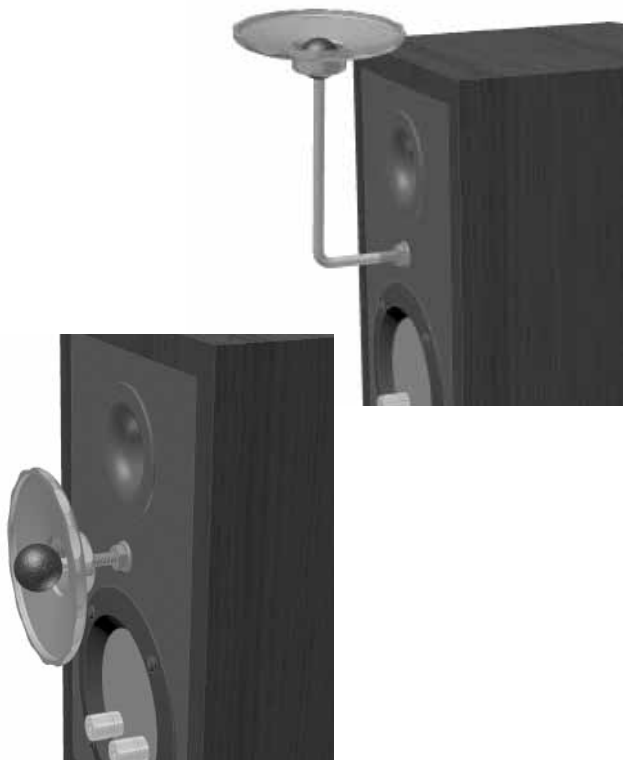
2 Fix wall plate to wall



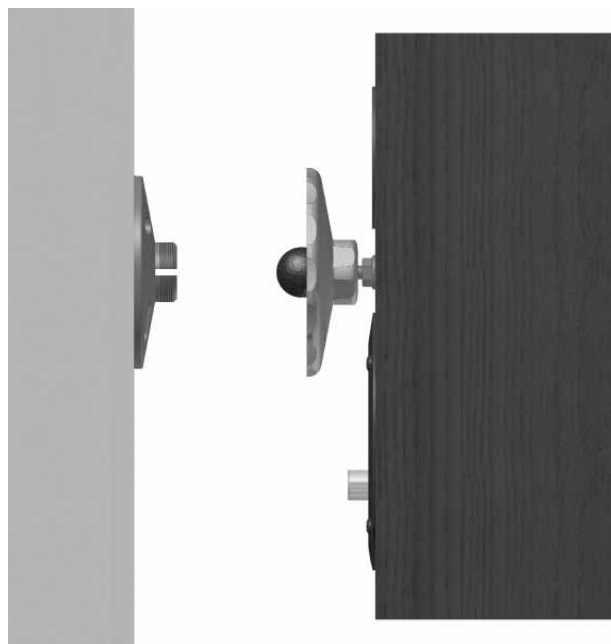
3 Fit locking nuts onto either the wall mount or ceiling mount arms (depending on application).



- 4 Slide the fixing dials over the threaded part of the arms and fix the arms to the cabinets turning them clockwise.




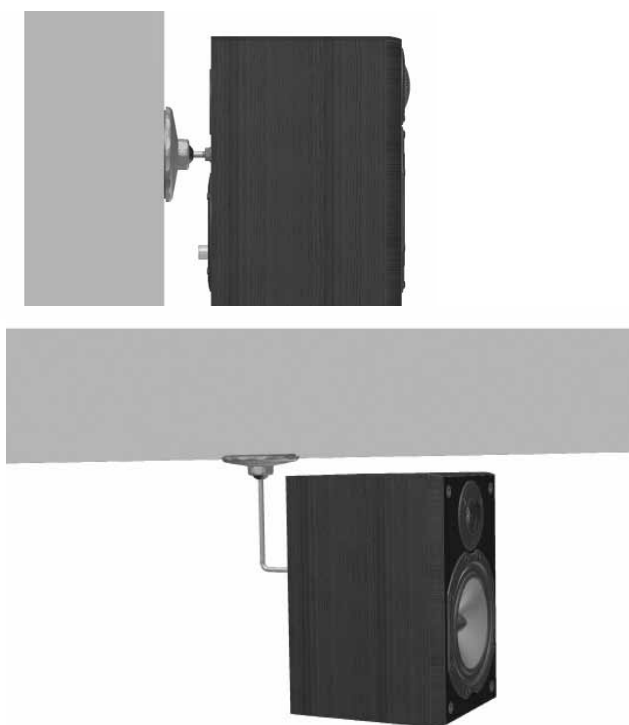
- 5 Offer the cabinet and bracket assembly up to the wall plate and start to tighten the fixing dial supporting the weight of the cabinet. Do not completely tighten.



- 6 Ensure the cabinet is in the desired angle and fully tighten the Fixing Dial.

Extra purchase can be achieved by using a spanner on the Fixing Dial.

 If further adjustment is required, loosen the Fixing Dial before adjusting.



This Universal Speaker Mount from Monitor Audio uses a 1/4" UNC thread and can be used with any of our speakers with the 1/4" UNC threaded insert.



The Maximum weight the bracket can hold is 4Kg.

 **MONITOR AUDIO**[®]
monitoraudio.com

Monitor Audio Ltd
24 Brook Road, Rayleigh
Essex, SS6 7XJ
England
Tel: + 44 (0)1268 740580
Fax: + 44 (0)1268 740589
Email: info@monitoraudio.co.uk
Designed in the United Kingdom